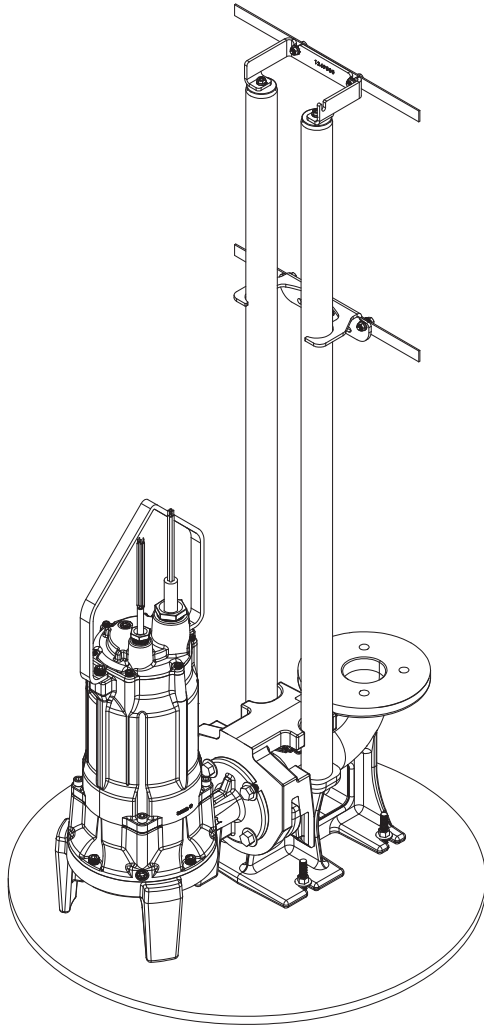
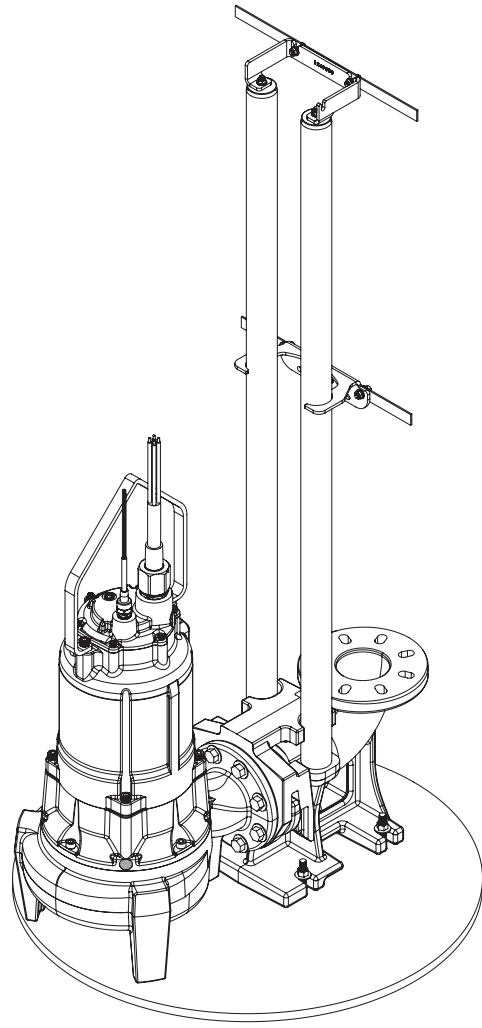


## Product Specification

### GR3 & GR4-Series Guide Rail System



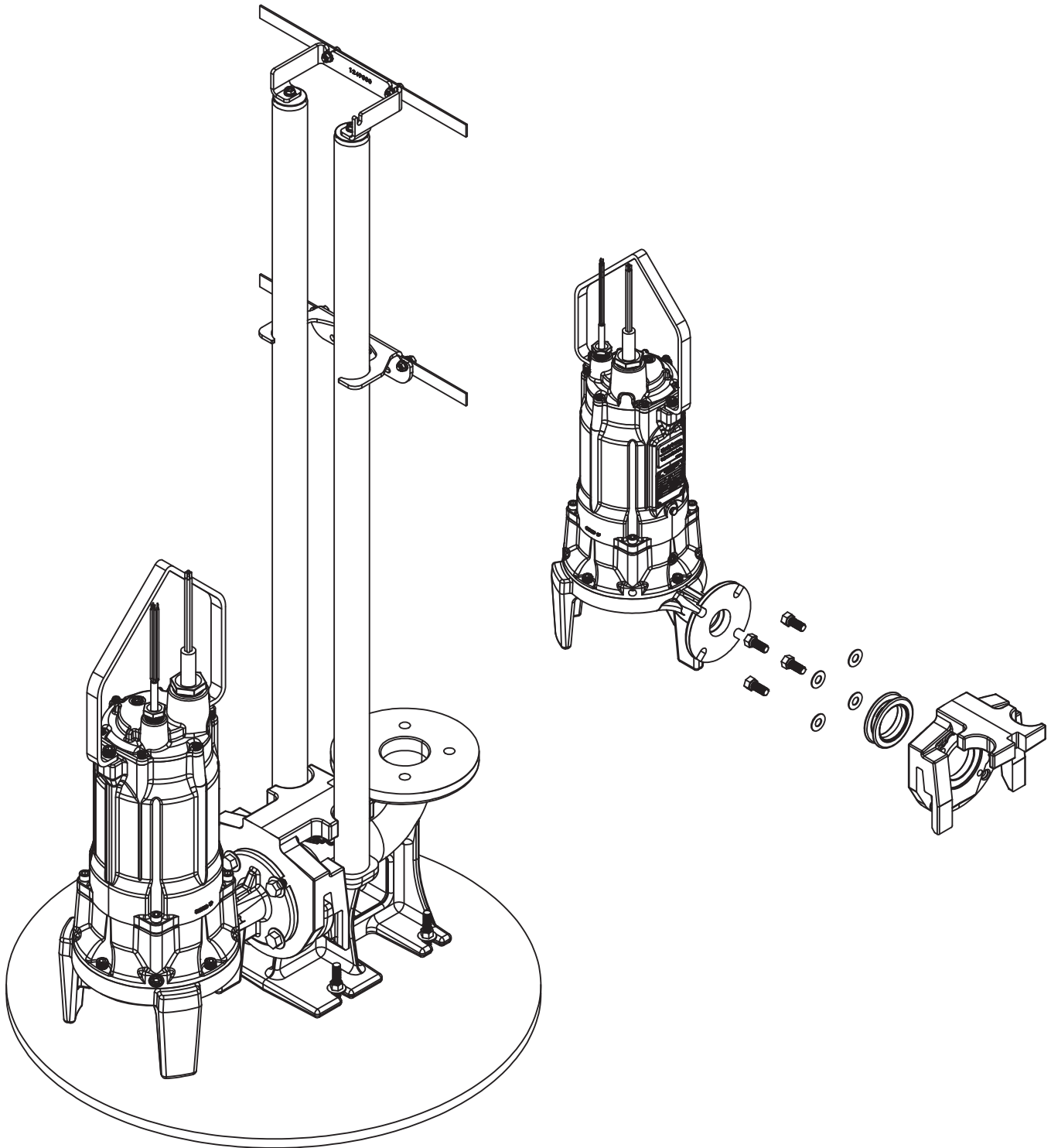
**GR3-Series  
3" Discharge**



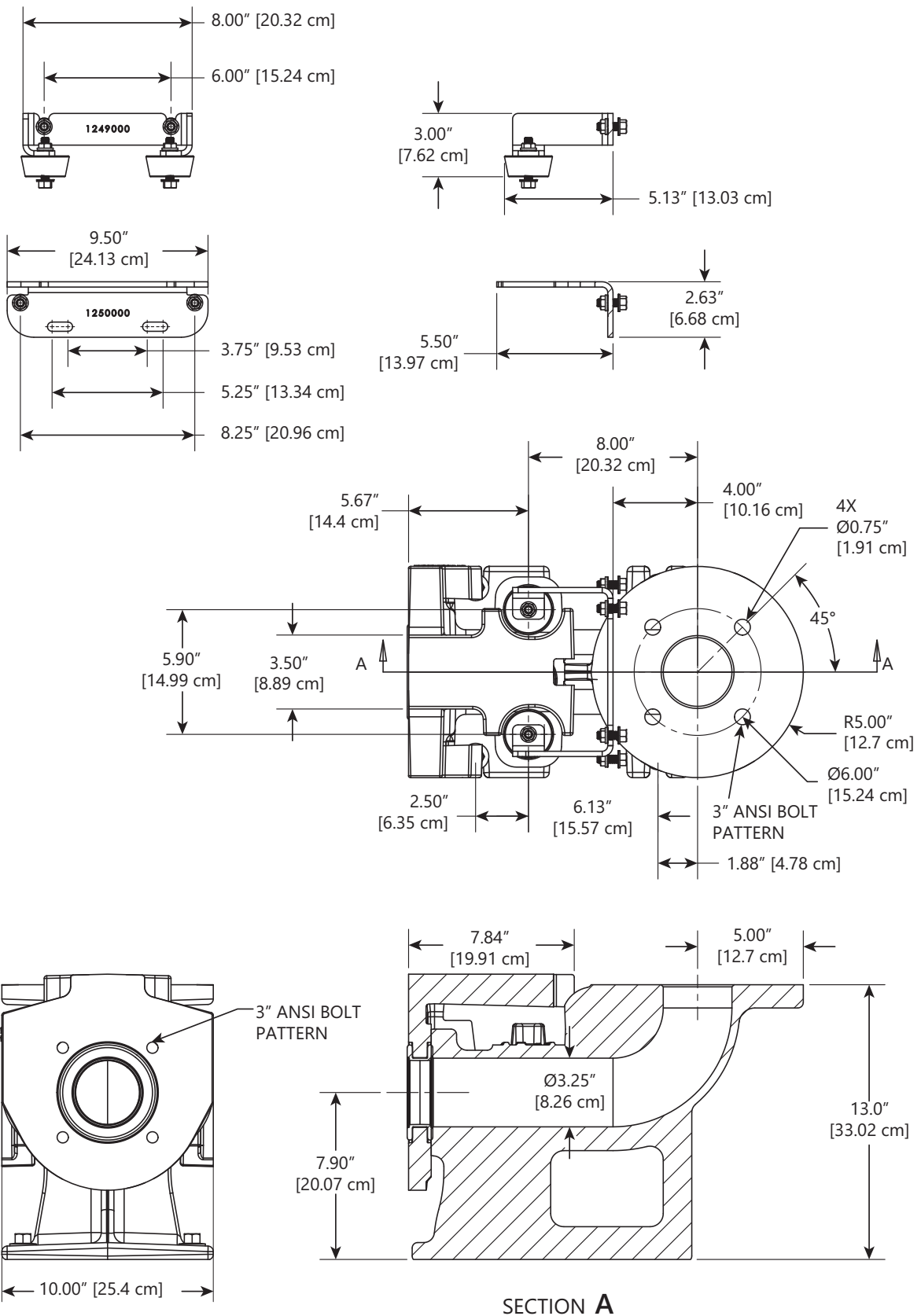
**GR4-Series  
4" Discharge**

## GR3-Series

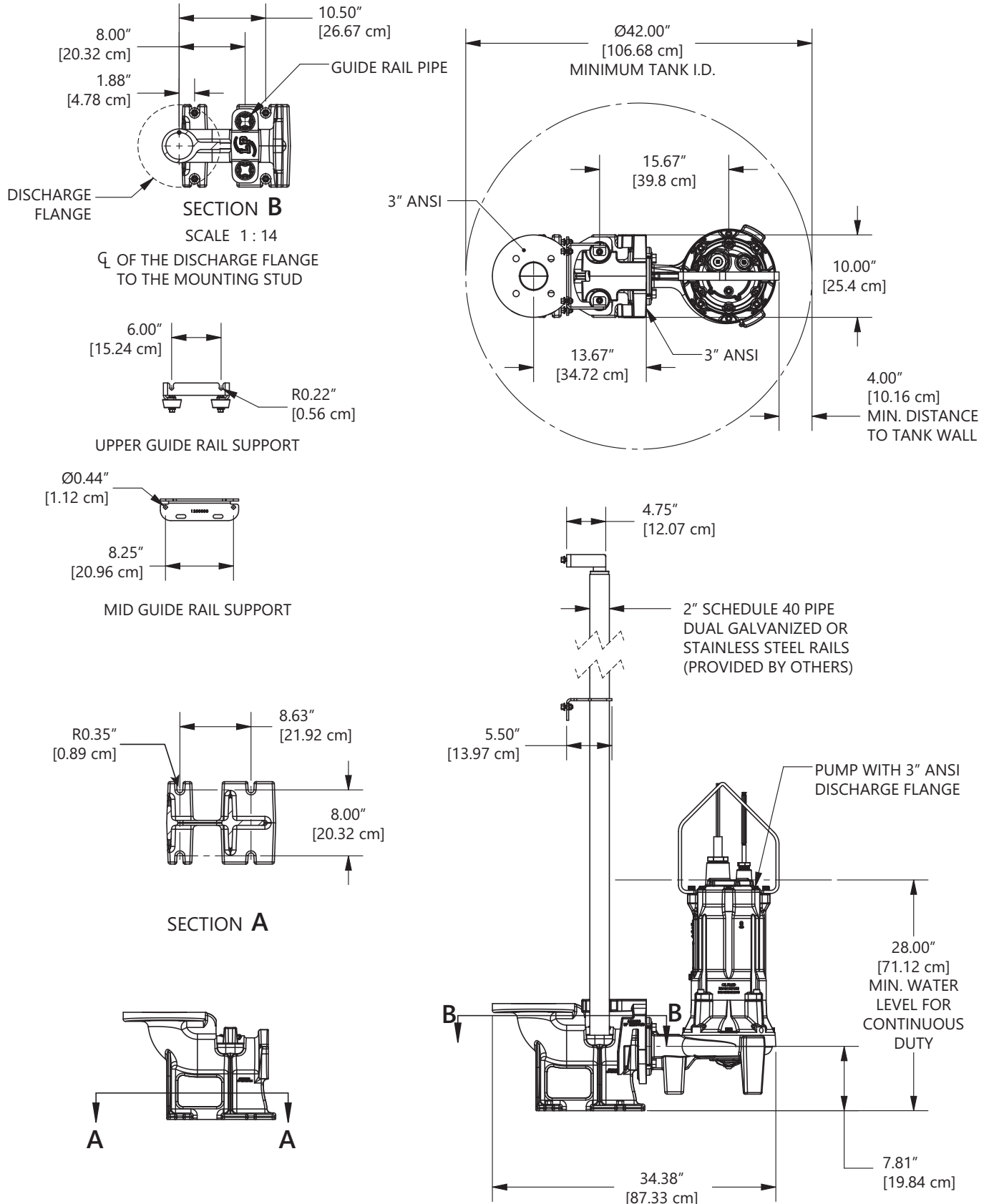
---



# GR3-Series Dimensional Data



# GR3-Series Dimensional Data

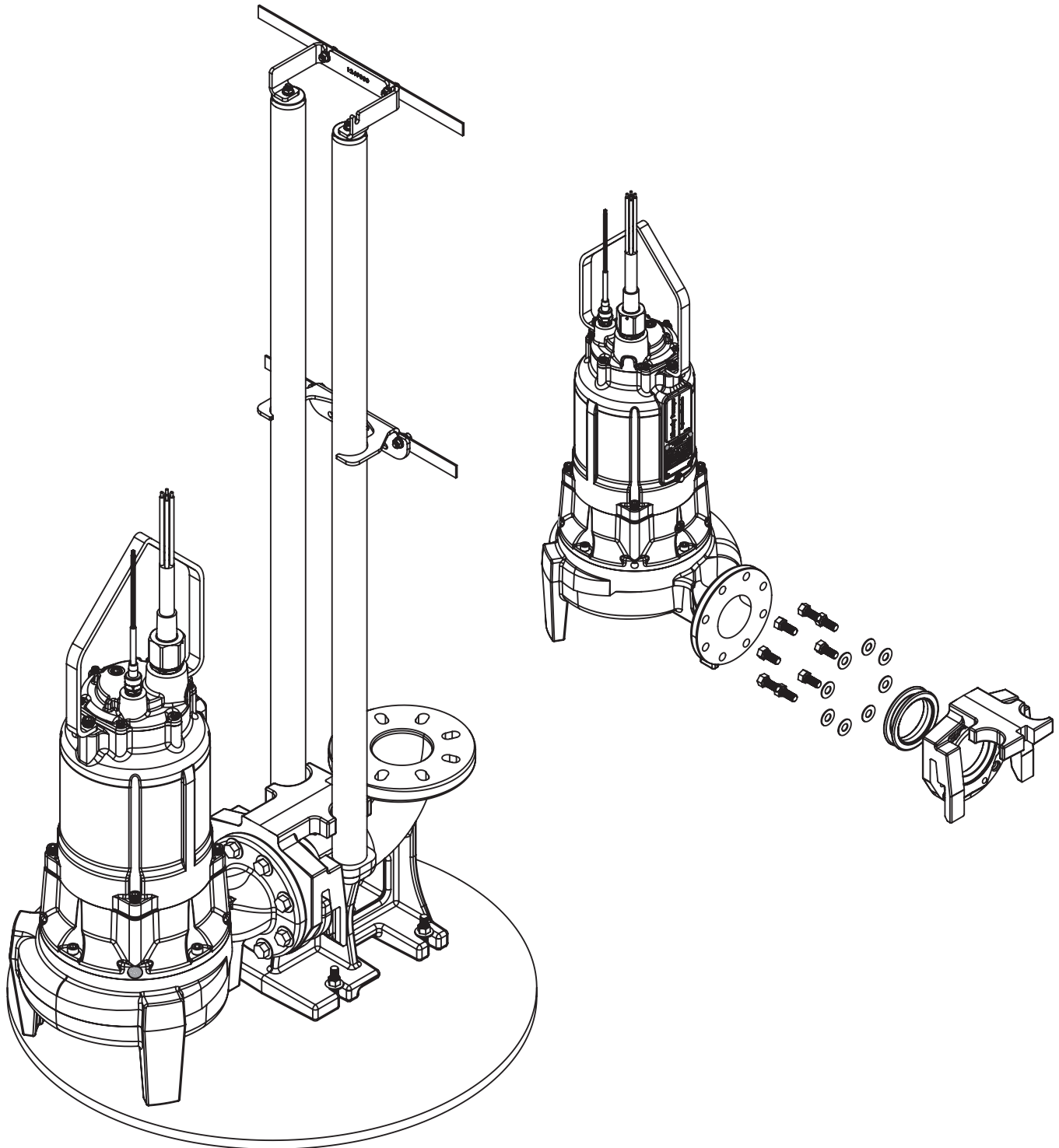


## GR3-Series Technical Data

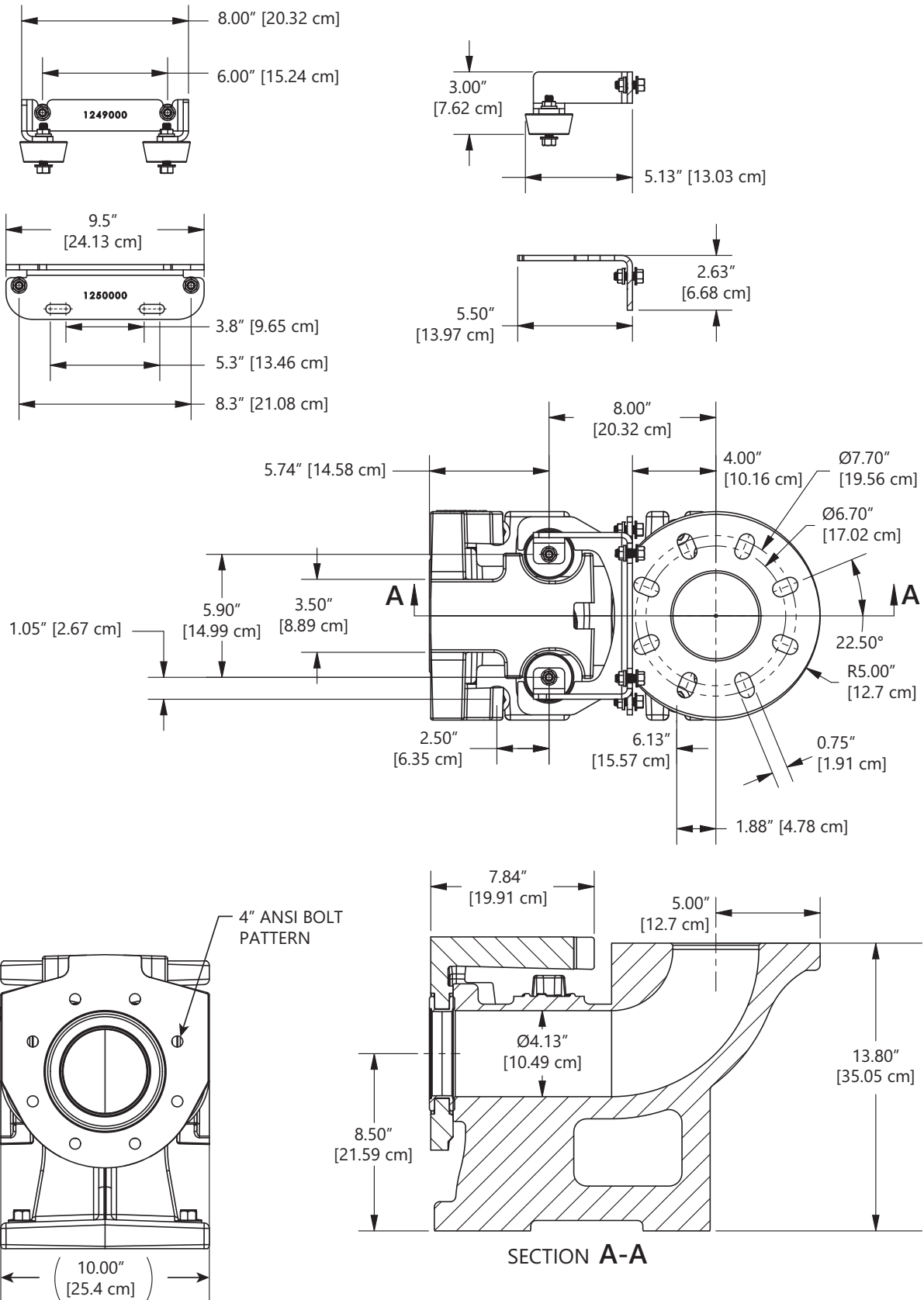
MODEL	GR3-SERIES FOR ORDINARY LOCATIONS	GR3NS-SERIES FOR HAZARDOUS LOCATIONS
GUIDE RAIL BASE	CLASS 30 CAST IRON	CLASS 30 CAST IRON
DISCONNECT	CLASS 30 CAST IRON	BRONZE
GUIDE RAIL	2" SCHEDULE 40 PIPE DUAL GALVANIZED OR STAINLESS STEEL RAILS (PROVIDED BY OTHERS)	2" SCHEDULE 40 PIPE DUAL GALVANIZED OR STAINLESS STEEL RAILS (PROVIDED BY OTHERS)
DISCHARGE FLANGE	3" 150# ANSI	3" 150# ANSI
PAINT	POWDER COAT	POWDER COAT (EXCEPT DISCONNECT)
HARDWARE	STAINLESS STEEL	STAINLESS STEEL
SEALING GROMMET	BUNA-N	BUNA-N
PUMP INTERFACE	FITS ORDINARY LOCATION MODELS: LGV/LGH-SERIES 2LE-SERIES LSS-SERIES LSGV/LSGH-SERIES	FITS HAZARDOUS LOCATION MODELS: XLGV/XLGH-SERIES
MAXIMUM PUMP WEIGHT	340 KG / 750 LBS	340 KG / 750 LBS

## GR4-Series

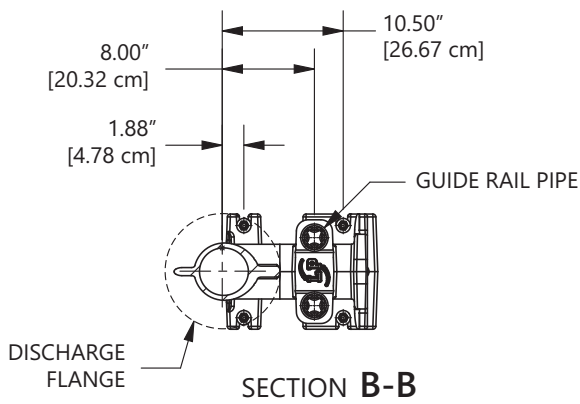
---



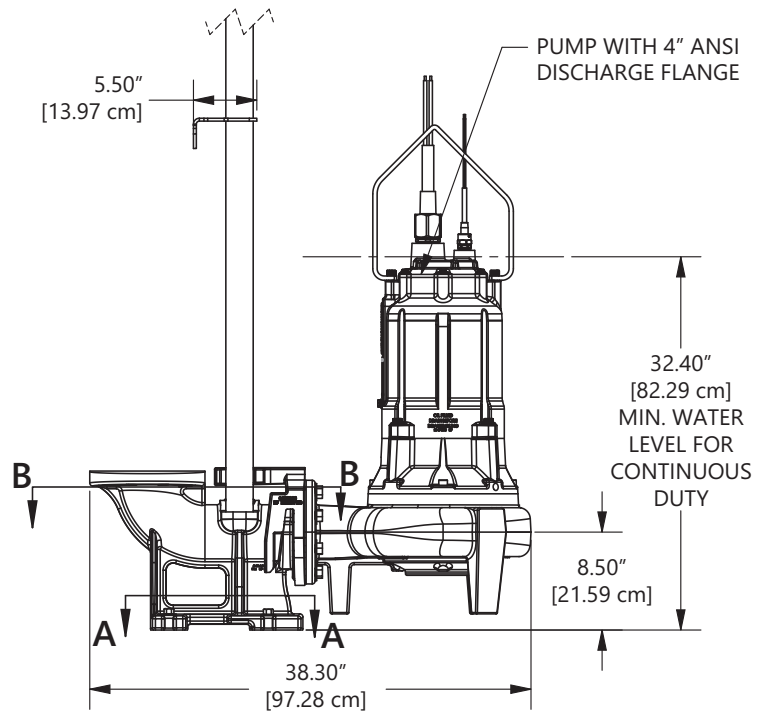
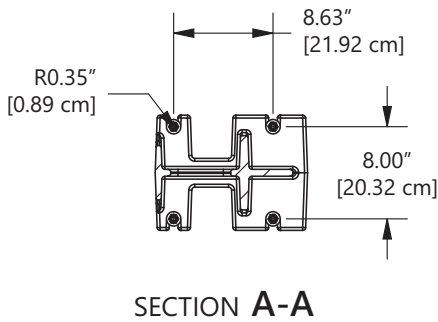
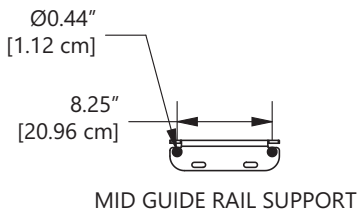
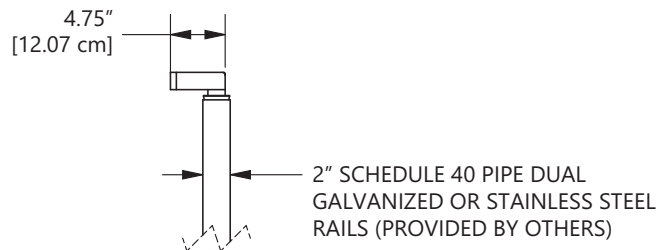
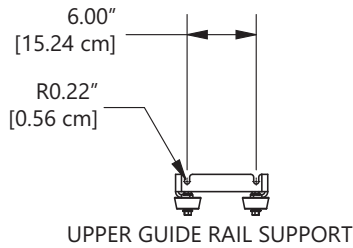
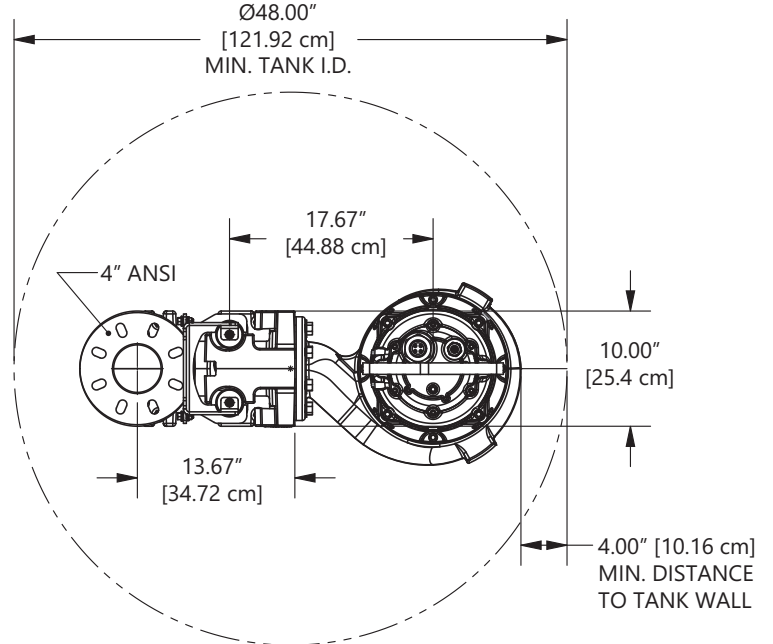
# GR4-Series Dimensional Data



# GR4-Series Dimensional Data



⊥ OF THE DISCHARGE FLANGE TO THE MOUNTING STUD





## GR4-Series Technical Data

<b>MODEL</b>	<b>GR4-SERIES FOR ORDINARY LOCATIONS</b>	<b>GR4NS-SERIES FOR HAZARDOUS LOCATIONS</b>
<b>GUIDE RAIL BASE</b>	CLASS 30 CAST IRON	CLASS 30 CAST IRON
<b>DISCONNECT</b>	CLASS 30 CAST IRON	BRONZE
<b>GUIDE RAIL</b>	2" SCHEDULE 40 PIPE DUAL GALVANIZED OR STAINLESS STEEL RAILS (PROVIDED BY OTHERS)	2" SCHEDULE 40 PIPE DUAL GALVANIZED OR STAINLESS STEEL RAILS (PROVIDED BY OTHERS)
<b>DISCHARGE FLANGE</b>	4" 150# ANSI	4" 150# ANSI
<b>PAINT</b>	POWDER COAT	POWDER COAT (EXCEPT DISCONNECT)
<b>HARDWARE</b>	STAINLESS STEEL	STAINLESS STEEL
<b>SEALING GROMMET</b>	BUNA-N	BUNA-N
<b>PUMP INTERFACE</b>	FITS ORDINARY LOCATION MODELS: 3LM-SERIES 3LE-SERIES 3LV-SERIES 3LEV-SERIES LSV-SERIES	FITS HAZARDOUS LOCATION MODELS: 3XLM-SERIES 3XLE-SERIES 3XLV-SERIES
<b>MAXIMUM PUMP WEIGHT</b>	750 LBS	750 LBS